

A | B | C | D

1

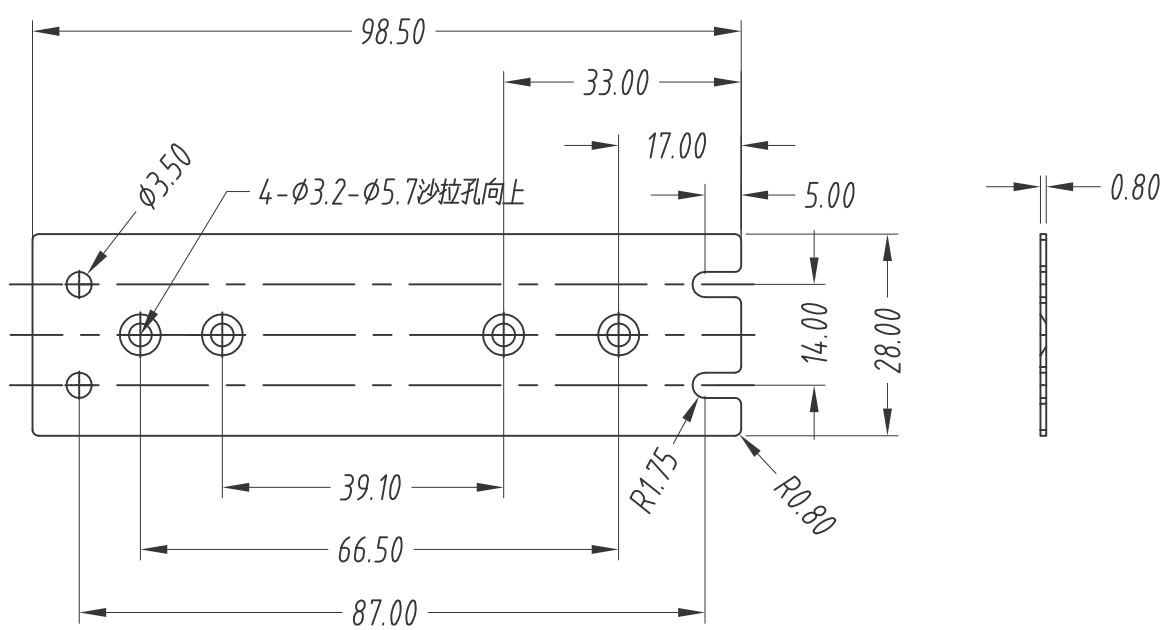
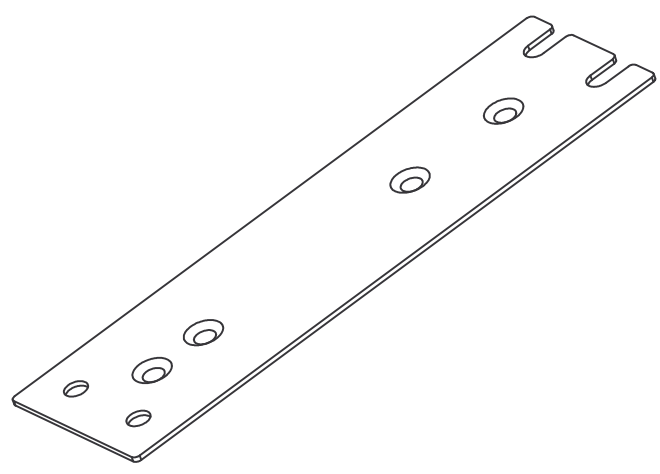
2

3

4

5

6



Note: all features are subject to change without notice.  
 Costruzioni Elettroniche Elettromeccaniche & Affini s.r.l. - 10132 TORINO - C.so Casale, 413 - Tel. 0118987106 / 0115534597 - fax 0115534597 - e\_mail cea@cea.to - URL http://www.cea.to



MATERIAL: SPCC 材質: 冷軋板	DWG NAME: Mounting Accessories 圖號: 機構配件圖	ORDER NO.: MHS027 品號
FINISH: Nickel Plate 處理: 鍍鎳	THICKNESS: 0.8mm 厚度	DATE: 2009-11-04 日期
UNIT: mm 單位	TOL.:           Angle: $\pm 1^\circ$ $< 6: \pm 0.1\text{mm}$ 30 to 120: $\pm 0.3\text{mm}$ 公差   6 to 30: $\pm 0.2\text{mm}$ 120 to 315: $\pm 0.5\text{mm}$	REV. R0 版本

