

PR-1357 STRUMENTO A PROFILO ANALOGICO



PR-1357

cod. 1187

STRUMENTO A PROFILO ANALOGICO

Analogue low profile instrument

Bobina mobile per c.c. - Portata a richiesta
C.c mobile coil - Range on request

Precisione: $\pm 1,5\%$ del valore di fondo scala
Tensione di prova: 2000V

Assorbimento:
amperometri da 25 μ A a 50 A circa 60 mV
voltmetri da 1 V a 500 V circa 1 mA (1000Hom/V)

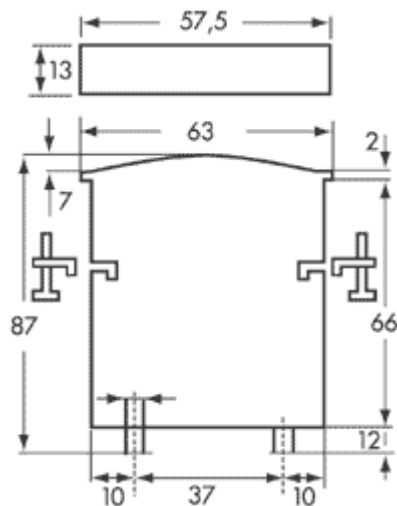
Accuracy: $\pm 1,5\%$ of full scale value

Test voltage: 2000V

Self-power:

ammeteres from 25 μ A to 50A about 60mV

voltmeters from 1V to 500V about 1mA (1000 Hom/V)



AZIENDA CERTIFICATA



GLOBE
CERTIFICAZIONI

1918R/2010
UNI EN ISO 9001:2008



Note: all features are subject to change without notice.